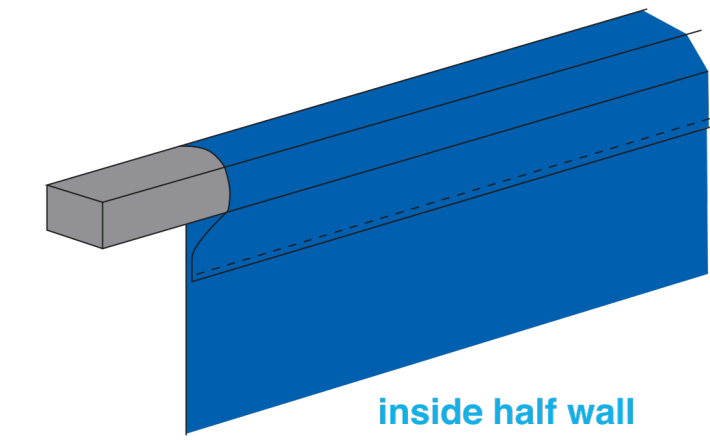
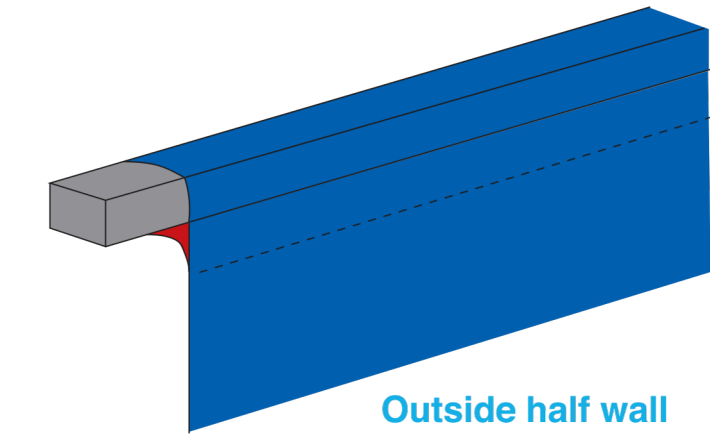


Key

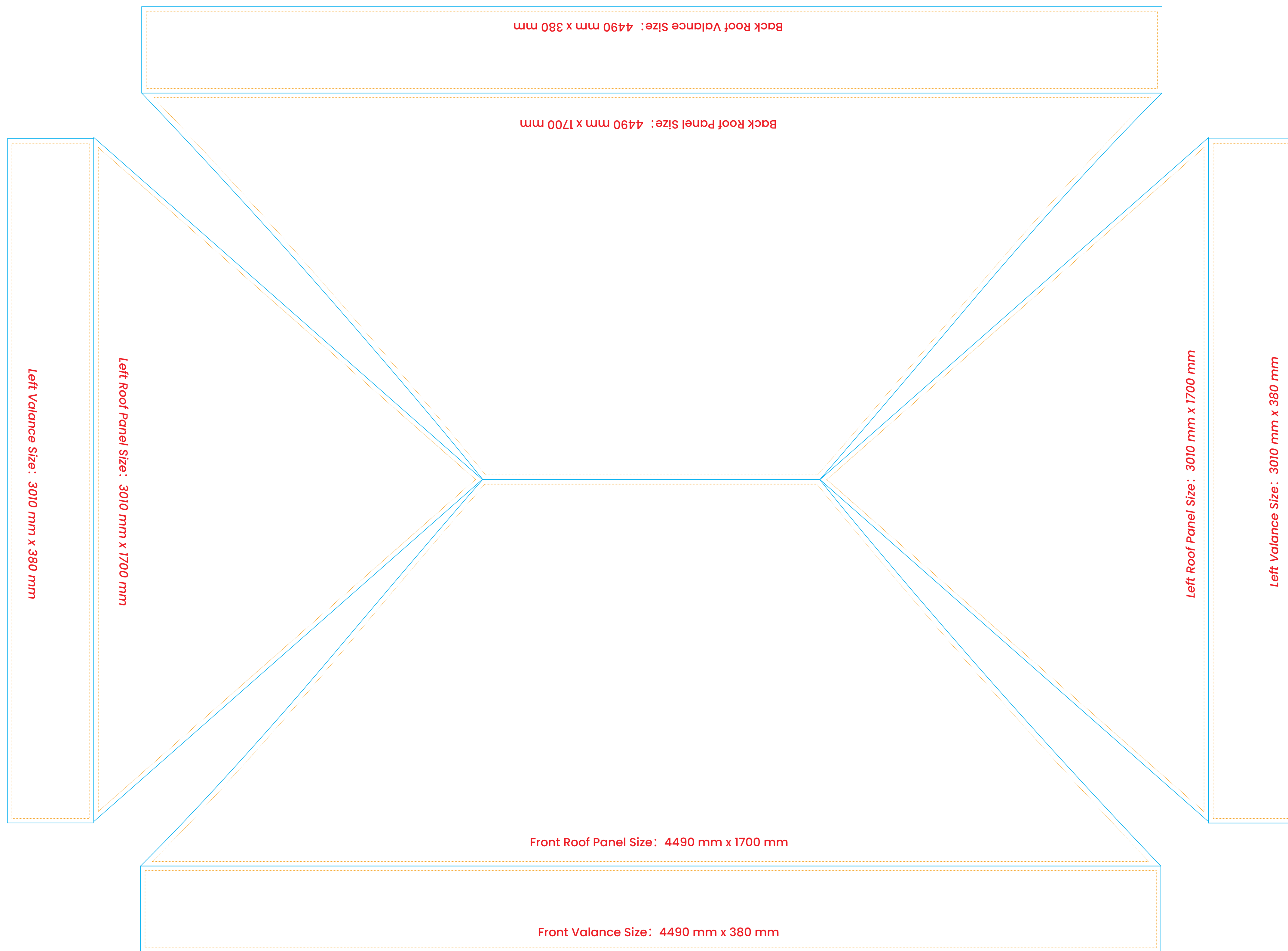
- Edge of panel
- Stitching line
- Top of the half wall



Note: Halfwalls are folded over a crossbar and stitched onto the inside side. For front side printing, the artwork should be up to the designated top of the halfwall line. Inside wall artwork should finish at the stitching line.



Note: Halfwalls are folded over a crossbar and stitched onto the inside side. For front side printing, the artwork should be up to the designated top of the halfwall line. Inside wall artwork should finish at the stitching line.



FM3x4.5S4-Full Colour Customized Printed Folding Marquee
Gazebos S4 - 3x4.5m Template SIZE 10%

Safe Area / Yellow Line
The "Safe Area" on the template is the front viewable area that will be clearly visible after the graphic is erected. Keep all text and important images within this area.

Trim Size / Blue Trim Line
The "Trim Size" on the template is the total area of the graphic and where the graphic will be trimmed to.

